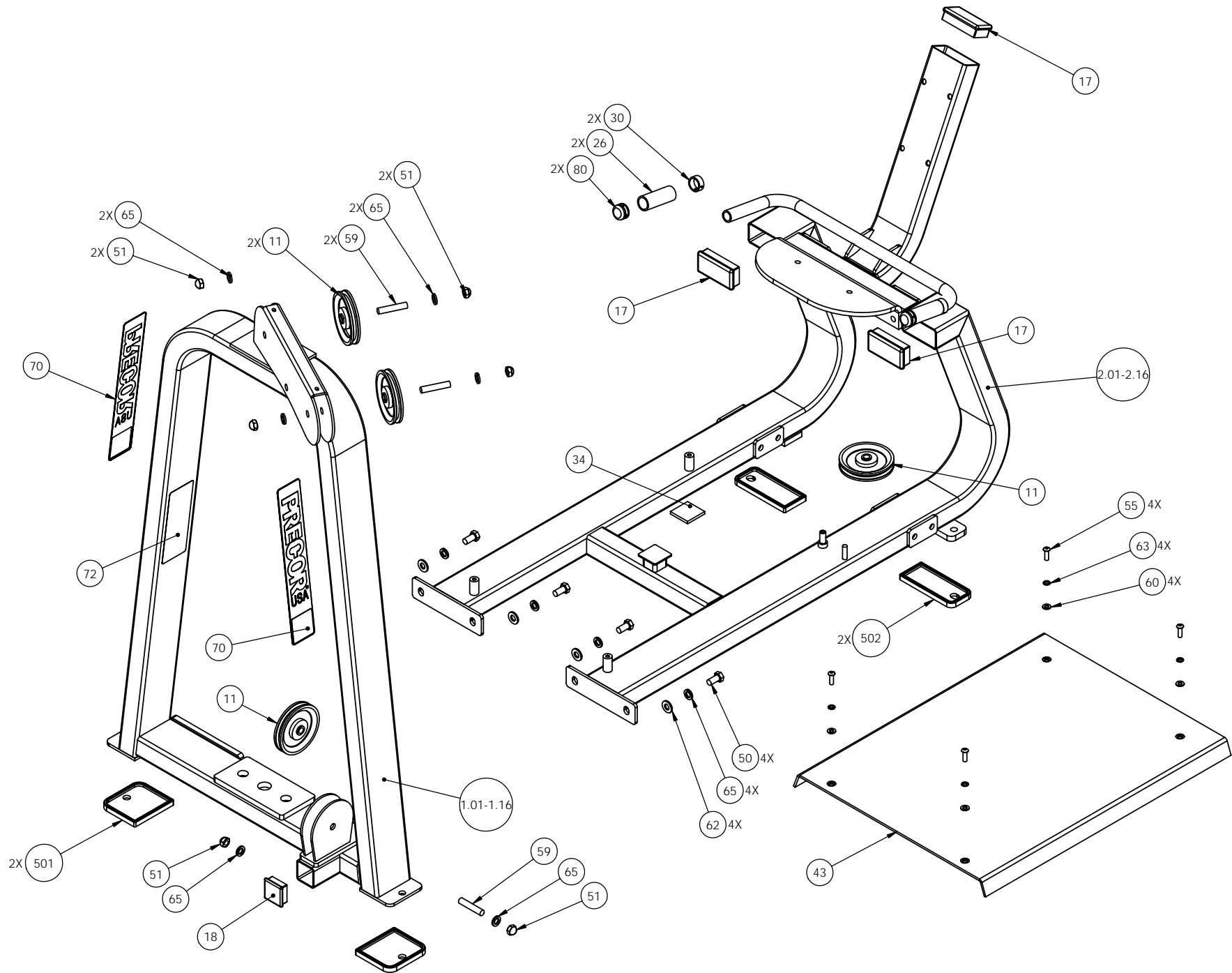
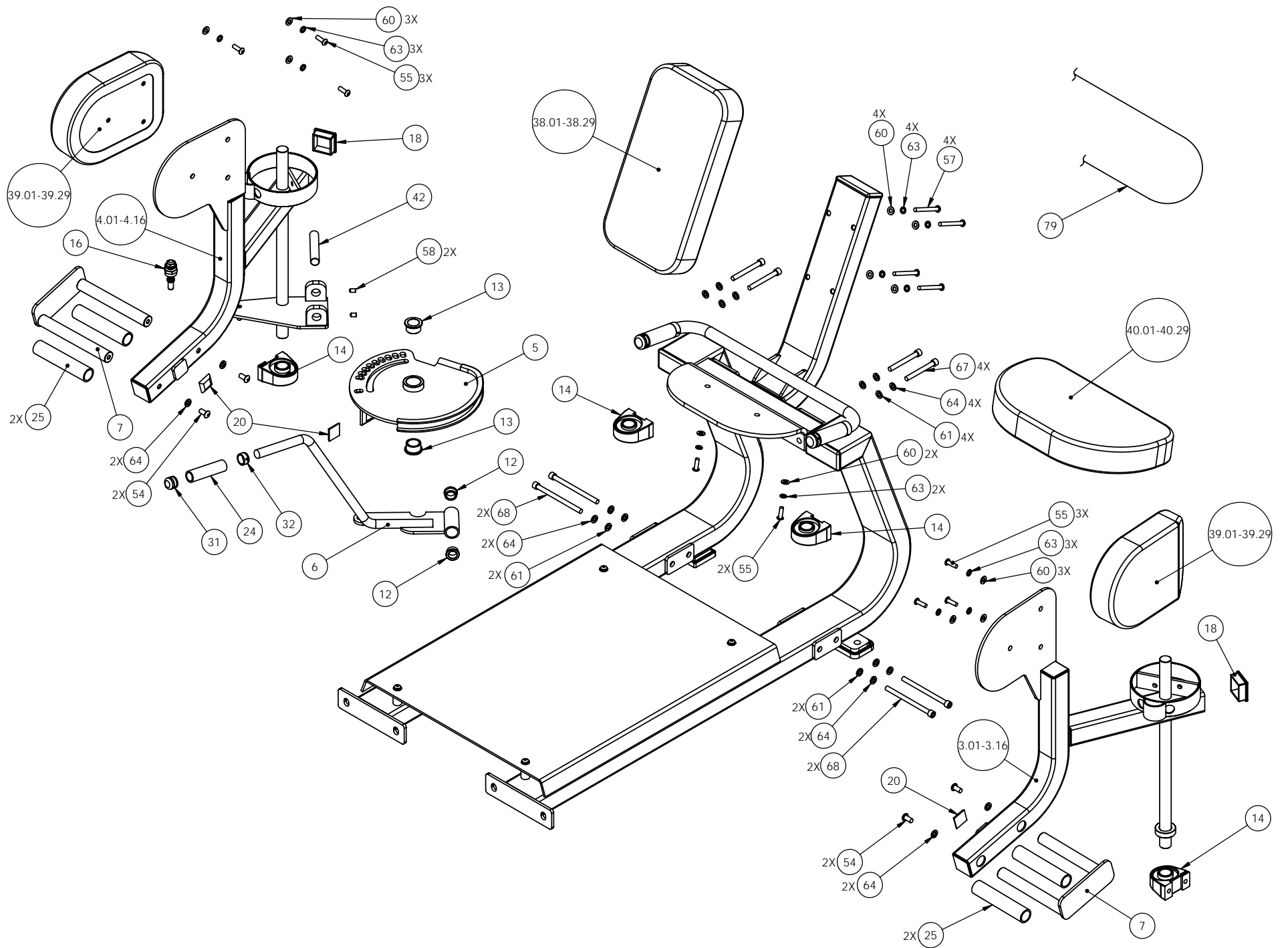


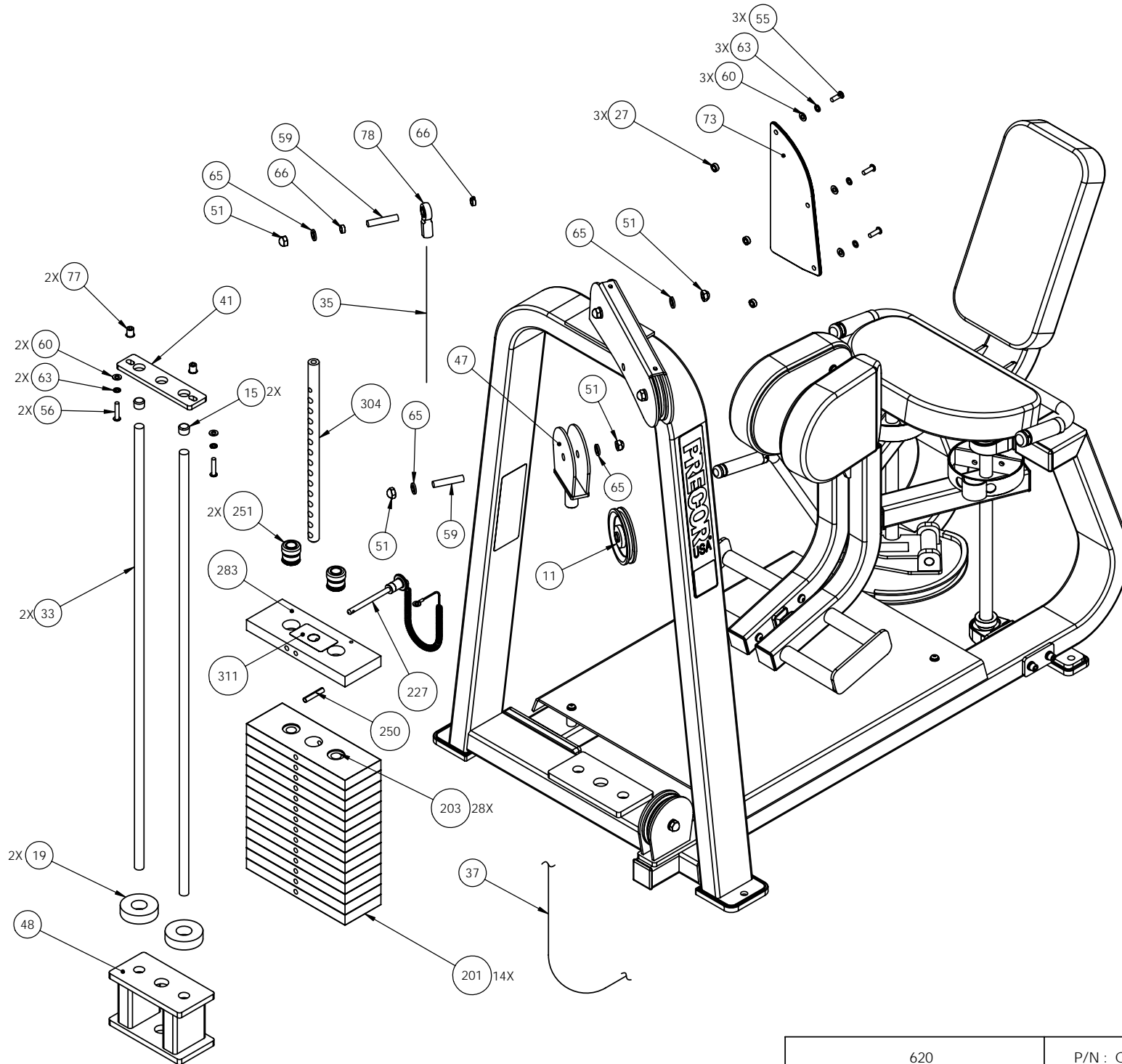
620	P/N : CW31089-101	SUBREV : B
DRAWN BY : CT	DATE : 11.19.05	SHEET 1 OF 5



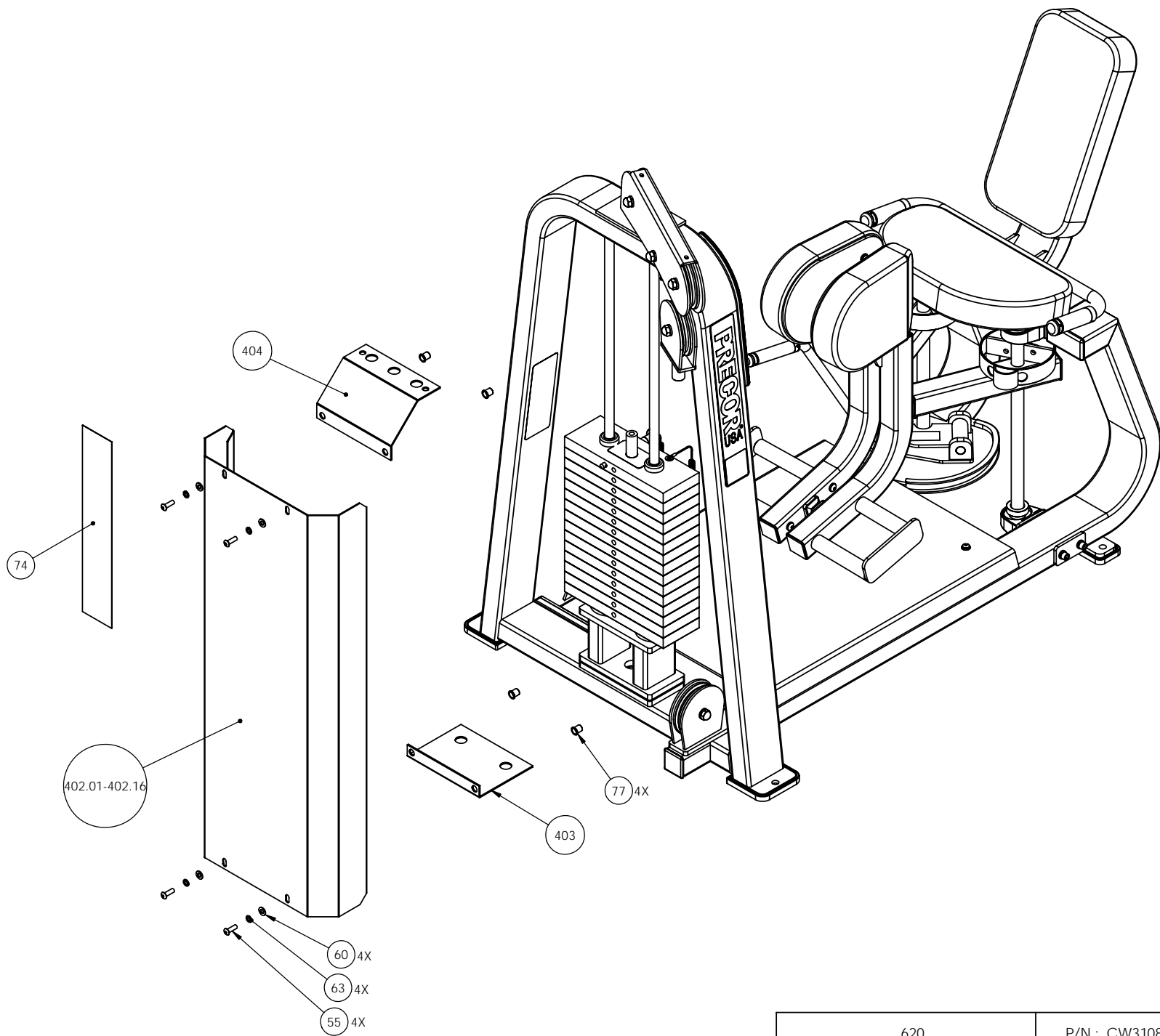
620	P/N : CW31089-101	SUBREV : B
DRAWN BY : CT	DATE : 11.19.05	SHEET 2 OF 5



620	P/N : CW31089-101	SUBREV : B
DRAWN BY : CT	DATE : 11.19.05	SHEET 3 OF 5



620	P/N : CW31089-101	SUBREV : B
DRAWN BY : CT	DATE : 11.19.05	SHEET 4 OF 5



620	P/N : CW31089-101	SUBREV : B
DRAWN BY : CT	DATE : 11.19.05	SHEET 5 OF 5

620 Adductor (Inner Thigh)

Part Number	Description	Bubble Number
CW620621SA1-211	ASSY,A-FRAME,620/621,SKY WHITE	1.01
CW620621SA1-221	ASSY,A-FRAME,620/621,BLACK	1.02
CW620621SA1-231	ASSY,A-FRAME,620/621,RED	1.03
CW620621SA1-241	ASSY,A-FRAME,620/621,PLAT SPRKLE	1.04
CW620621SA1-251	ASSY,A-FRAME,620/621,SILVER	1.05
CW620621SA1-261	ASSY,A-FRAME,620/621,BLUE	1.06
CW620621SA1-271	ASSY,A-FRAME,620/621,CHARCOAL	1.07
CW620621SA1-281	ASSY,A-FRAME,620/621,CATH GRAY	1.08
CW620621SA1-291	ASSY,A-FRAME,620/621,SILVER VIEN	1.09
CW620621SA1-311	ASSY,A-FRAME,620/621,STONE HG	1.11
CW620621SA1-321	ASSY,A-FRAME,620/621,TITANIUM HG	1.12
CW620621SA1-331	ASSY,A-FRAME,620/621,WHITE GLOSS	1.13
CW620621SA1-341	ASSY,A-FRAME,620/621,BLACK ONYX	1.14
CW620621SA1-351	ASSY,A-FRAME,620/621,LT. BRONZE	1.15
CW620621SA1-361	ASSY,A-FRAME,620/621,SAPPHIRE BL	1.16
CW620621SA2-211	ASSY,FRAME,MAIN,620/621,SKY WHITE	2.01
CW620621SA2-221	ASSY,FRAME,MAIN,620/621,BLACK	2.02
CW620621SA2-231	ASSY,FRAME,MAIN,620/621,RED	2.03
CW620621SA2-241	ASSY,FRAME,MAIN,620/621,PLAT SPRKLE	2.04
CW620621SA2-251	ASSY,FRAME,MAIN,620/621,SILVER	2.05
CW620621SA2-261	ASSY,FRAME,MAIN,620/621,BLUE	2.06
CW620621SA2-271	ASSY,FRAME,MAIN,620/621,CHARCOAL	2.07
CW620621SA2-281	ASSY,FRAME,MAIN,620/621,CATH GRAY	2.08
CW620621SA2-291	ASSY,FRAME,MAIN,620/621,SILVER VIEN	2.09
CW620621SA2-311	ASSY,FRAME,MAIN,620/621,STONE HG	2.11
CW620621SA2-321	ASSY,FRAME,MAIN,620/621,TITANIUM HG	2.12
CW620621SA2-331	ASSY,FRAME,MAIN,620/621,WHITE GLOSS	2.13
CW620621SA2-341	ASSY,FRAME,MAIN,620/621,BLACK ONYX	2.14
CW620621SA2-351	ASSY,FRAME,MAIN,620/621,LT. BRONZE	2.15
CW620621SA2-361	ASSY,FRAME,MAIN,620/621,SAPPHIRE BL	2.16
CW620SA3-211	ASSY,ARM,LEFT,620,SKY WHITE	3.01
CW620SA3-221	ASSY,ARM,LEFT,620,BLACK	3.02
CW620SA3-231	ASSY,ARM,LEFT,620,RED	3.03
CW620SA3-241	ASSY,ARM,LEFT,620,PLAT SPKLE	3.04
CW620SA3-251	ASSY,ARM,LEFT,620,SILVER	3.05
CW620SA3-261	ASSY,ARM,LEFT,620,BLUE	3.06
CW620SA3-271	ASSY,ARM,LEFT,620,CHARCOAL	3.07
CW620SA3-281	ASSY,ARM,LEFT,620,CATH GRY	3.08
CW620SA3-291	ASSY,ARM,LEFT,620,SILVER VIEN	3.09
CW620SA3-311	ASSY,ARM,LEFT,620,STONE HG	3.11
CW620SA3-321	ASSY,ARM,LEFT,620,TITANIUM HG	3.12
CW620SA3-331	ASSY,ARM,LEFT,620,WHITE GLOSS	3.13
CW620SA3-341	ASSY,ARM,LEFT,620,BLACK ONYX	3.14
CW620SA3-351	ASSY,ARM,LEFT,620,LIGHT BRONZE	3.15
CW620SA3-361	ASSY,ARM,LEFT,620,SAPPHIRE BLUE	3.16
CW620SA4-211	ASSY,ARM,RIGHT,620,SKY WHITE	4.01
CW620SA4-221	ASSY,ARM,RIGHT,620,BLACK	4.02
CW620SA4-231	ASSY,ARM,RIGHT,620,RED	4.03
CW620SA4-241	ASSY,ARM,RIGHT,620,PLAT SPKLE	4.04

CW620SA4-251	ASSY,ARM,RIGHT,620,SILVER	4.05
CW620SA4-261	ASSY,ARM,RIGHT,620,BLUE	4.06
CW620SA4-271	ASSY,ARM,RIGHT,620,CHARCOAL	4.07
CW620SA4-281	ASSY,ARM,RIGHT,620,CATH GRY	4.08
CW620SA4-291	ASSY,ARM,RIGHT,620,SILVER VIEN	4.09
CW620SA4-311	ASSY,ARM,RIGHT,620,STONE HG	4.11
CW620SA4-321	ASSY,ARM,RIGHT,620,TITANIUM HG	4.12
CW620SA4-331	ASSY,ARM,RIGHT,620,WHITE GLOSS	4.13
CW620SA4-341	ASSY,ARM,RIGHT,620,BLACK ONYX	4.14
CW620SA4-351	ASSY,ARM,RIGHT,620,LIGHT BRONZE	4.15
CW620SA4-361	ASSY,ARM,RIGHT,620,SAPPHIRE BLUE	4.16
CW620SA5-721	ASSY,CAM,620,WRINKLE BLACK	5
CW620SA9-721	ASSY,FOOT REST,620/621,WRKL BLK	7
CWAC1009-101	PULLEY, 4 1/2 DIA. X 1/2 ID	11
CW10043-133	BUSHING, BRONZE, 3/4" ID X 1" OD	12
CW10043-134	BUSHING, BRONZE, 1" ID X 1 1/4" OD	13
CW12406-101	PILLOW BLOCK, BEARING, 2 BOLT	14
CW12404-101	CAP, GUIDE ROD,DIA 3/4, BLK	15
CW30502-731	ASSY, POP PIN, 0.450 DIA HANDLE,BLK	16
CW11311-102	ENDCAP, REC TUBE, 2X4, BLK PLASTIC	17
CW11311-103	ENDCAP, REC TUBE, 2X2, BLK PLASTIC	18
CW12402-101	BUMPER, WEIGHT STACK, BLK RUBBER	19
CW12575-101	MOULDED BUMPON, BLACK, 31.75MM SQ (20
CWGR2503-750	GRIP,RUBBER,3/4" DIA, 3-3/4"	24
CWGR2603-125	GRIP,RUBBER, 1" DIA, 3-1/4"	26
CWAC1228-901	SPACER, ALU,.328 ID X .625 OD X .25	27
CWAC218-901	HANDLE END CAP W/SET SCREWS, DIA 1"	29
CWAC219-901	HNDL RETAINER RNG, W/SS,1.020" I.D.	30
CWAC220-901	HANDLE END CAP W/SET SCREWS, DIA 3/	31
CWAC233-901	HANDLE RETAINER RING W/SET SCREWS,	32
CWPF1212-711	GUIDE ROD, 3/4 X 42 5/8 (#4), CHM	33
CW30013-101	CUT PIECE, CREPE, 1/4 X 2 X 2	34
CWCLGH091-750	ASSY, CABLE, 620	35
CWCLGP057-000	ASSY, CABLE, 620, 621	37
CWCLLL034-250	ASSY, CABLE, 620, 621	38
CWPD1105B-101	PAD,9X17,4HOLES,W/BP,BLACK	38.01
CWPD1105B-102	PAD,9X17,4HOLES,W/BP,RYL BL	38.02
CWPD1105B-103	PAD,9X17,4HOLES,W/BP,DVE GRY	38.03
CWPD1105B-104	PAD,9X17,4HOLES,W/BP,CROCUS	38.04
CWPD1105B-105	PAD,9X17,4HOLES,W/BP,GROTTO	38.05
CWPD1105B-106	PAD,9X17,4HOLES,W/BP,GRAPHITE	38.06
CWPD1105B-107	PAD,9X17,4HOLES,W/BP,RED	38.07
CWPD1105B-108	PAD,9X17,4HOLES,W/BP,CHN GRN	38.08
CWPD1105B-109	PAD,9X17,4HOLES,W/BP,TURQSE	38.09
CWPD1105B-110	PAD,9X17,4HOLES,W/BP,RASP	38.1
CWPD1105B-111	PAD,9X17,4HOLES,W/BP,PLUM	38.11
CWPD1105B-112	PAD,9X17,4HOLES,W/BP,REGIMENT	38.12
CWPD1105B-113	PAD,9X17,4HOLES,W/BP,SPC BLUE	38.13
CWPD1105B-115	PAD,9X17,4HOLES,W/BP,BLK LTHR	38.15
CWPD1105B-116	PAD,9X17,4HOLES,W/BP,NVBL LTH	38.16
CWPD1105B-117	PAD,9X17,4HOLES,W/BP,PUTTY	38.17

CWPD1105B-118	PAD,9X17,4HOLES,W/BP,IMPRL BLUE	38.18
CWPD1105B-119	PAD,9X17,4HOLES,W/BP,YEW GREEN	38.19
CWPD1105B-120	PAD,9X17,4HOLES,W/BP,DUSTY JADE	38.2
CWPD1105B-121	PAD,9X17,4HOLES,W/BP,TERRA COTTA	38.21
CWPD1105B-122	PAD,9X17,4HOLES,W/BP,PAPRIKA	38.22
CWPD1105B-123	PAD,9X17,4HOLES,W/BP,ASH LTHR	38.23
CWPD1105B-124	PAD,9X17,4HOLES,W/BP,CERULEAN LTHR	38.24
CWPD1105B-125	PAD,9X17,4HOLES,W/BP,CHARCOAL LTHR	38.25
CWPD1105B-126	PAD,9X17,4HOLES,W/BP,HUNTER LTHR	38.26
CWPD1105B-127	PAD,9X17,4HOLES,W/BP,MOSS LTHR	38.27
CWPD1105B-128	PAD,9X17,4HOLES,W/BP,SPICE LTHR	38.28
CWPD1105B-129	PAD,9X17,4HOLES,W/BP,TOMATO LTHR	38.29
CWPD1301A-101	PAD,8X10.75,3HOLES,BLACK	39.01
CWPD1301A-102	PAD,8X10.75,3HOLES,RYL BL	39.02
CWPD1301A-103	PAD,8X10.75,3HOLES,DV GRY	39.03
CWPD1301A-104	PAD,8X10.75,3HOLES,CRCUS	39.04
CWPD1301A-105	PAD,8X10.75,3HOLES,GRTTO	39.05
CWPD1301A-106	PAD,8X10.75,3HOLES,GRPHITE	39.06
CWPD1301A-107	PAD,8X10.75,3HOLES,RED	39.07
CWPD1301A-108	PAD,8X10.75,3HOLES,CHN GRN	39.08
CWPD1301A-109	PAD,8X10.75,3HOLES,TURQSE	39.09
CWPD1301A-110	PAD,8X10.75,3HOLES,RASP	39.1
CWPD1301A-111	PAD,8X10.75,3HOLES,PLUM	39.11
CWPD1301A-112	PAD,8X10.75,3HOLES,REGMNT	39.12
CWPD1301A-113	PAD,8X10.75,3HOLES,SPC BL	39.13
CWPD1301A-115	PAD,8X10.75,3HOLES,BLK LTH	39.15
CWPD1301A-116	PAD,8X10.75,3HOLES,NVBL LTH	39.16
CWPD1301A-117	PAD,8X10.75,3HOLES,PUTTY	39.17
CWPD1301A-118	PAD,8X10.75,3HOLES,IMPRL BL	39.18
CWPD1301A-119	PAD,8X10.75,3HOLES,YEW GRN	39.19
CWPD1301A-120	PAD,8X10.75,3HOLES,DSTY JD	39.2
CWPD1301A-121	PAD,8X10.75,3HOLES,TER COT	39.21
CWPD1301A-122	PAD,8X10.75,3HOLES,PAPRIKA	39.22
CWPD1301A-123	PAD,8X10.75,3HOLES,ASH LTHR	39.23
CWPD1301A-124	PAD,8X10.75,3HOLES,CERULAN LTHR	39.24
CWPD1301A-125	PAD,8X10.75,3HOLES,CHARCOAL LTHR	39.25
CWPD1301A-126	PAD,8X10.75,3HOLES,HUNTER LTHR	39.26
CWPD1301A-127	PAD,8X10.75,3HOLES,MOSS LTHR	39.27
CWPD1301A-128	PAD,8X10.75,3HOLES,SPICE LTHR	39.28
CWPD1301A-129	PAD,8X10.75,3HOLES,TOMATO LTHR	39.29
CWPD1420A-101	PAD,9.5X17,2 HOLES,BLACK	40.01
CWPD1420A-102	PAD,9.5X17,2 HOLES,RYL BL	40.02
CWPD1420A-103	PAD,9.5X17,2 HOLES,DV GRY	40.03
CWPD1420A-104	PAD,9.5X17,2 HOLES,CROCUS	40.04
CWPD1420A-105	PAD,9.5X17,2 HOLES,GROTTO	40.05
CWPD1420A-106	PAD,9.5X17,2 HOLES,GRPHTE	40.06
CWPD1420A-107	PAD,9.5X17,2 HOLES,RED	40.07
CWPD1420A-108	PAD,9.5X17,2 HOLES,CH GRN	40.08
CWPD1420A-109	PAD,9.5X17,2 HOLES,TURQSE	40.09
CWPD1420A-110	PAD,9.5X17,2 HOLES,RASP	40.1
CWPD1420A-111	PAD,9.5X17,2 HOLES,PLUM	40.11

CWPD1420A-112	PAD,9.5X17,2 HOLES,REGMNT	40.12
CWPD1420A-113	PAD,9.5X17,2 HOLES,SP BLUE	40.13
CWPD1420A-115	PAD,9.5X17,2 HOLES,BLK LTH	40.15
CWPD1420A-116	PAD,9.5X17,2 HOLES,NB LTH	40.16
CWPD1420A-117	PAD,9.5X17,2 HOLES,PUTTY	40.17
CWPD1420A-118	PAD,9.5X17,2 HOLES,IMPRL BL	40.18
CWPD1420A-119	PAD,9.5X17,2 HOLES,YEW GRN	40.19
CWPD1420A-120	PAD,9.5X17,2 HOLES,DSTY JD	40.2
CWPD1420A-121	PAD,9.5X17,2 HOLES,TER COT	40.21
CWPD1420A-122	PAD,9.5X17,2 HOLES,PAPRIKA	40.22
CWPD1420A-123	PAD,9.5X17,2 HOLES,ASH LTHR	40.23
CWPD1420A-124	PAD,9.5X17,2 HOLES,CERULEAN LTHR	40.24
CWPD1420A-125	PAD,9.5X17,2 HOLES,CHARCOAL LTHR	40.25
CWPD1420A-126	PAD,9.5X17,2 HOLES,HUNTER LTHR	40.26
CWPD1420A-127	PAD,9.5X17,2 HOLES,MOSS LTHR	40.27
CWPD1420A-128	PAD,9.5X17,2 HOLES,SPICE LTHR	40.28
CWPD1420A-129	PAD,9.5X17,2 HOLES,TOMATO LTHR	40.29
CWPF1016-731	BAR,,FLAT CR/HR, 3/8 X 2 X 8 1/4, 3	41
CWPF1362-731	BAR,STEEL,RND,DIA. .745 X 4 1/8,BLK	42
CWPF3136-901	PLATE,ALUMINUM TREAD, 3/16 X 24 X (43
CW31214-721	ASSY,FLOATING PULLEY HOUSING,	47
CW31213-721	ASSY,5" WEIGHT STACK RISER,620/621,	48
CWHCYN050-100	SCREW,HEX HEAD,BLK XYLAN,1/2-13 X 1	50
CWKADLN050-081	NUT, ACORN, 1/2-13	51
CWCLFA1064-741	ROD END, FEMALE, STEEL, ZINC, CAD,	54
CWTAYN038-075	SCREW, BUTTON HEAD, BLK XYLAN, 3/8	54
CWTAYN031-100	SCREW, BUTTON HEAD, BLK XYLAN, 5/1	55
CWTAYN031-150	SCREW, BUTTON HEAD, BLK XYLAN,5/16	56
CWTAYN031-300	SCREW, BUTTON HEAD, BLK XYLAN,5/16	57
CWEANN031-050	SCREW,SET,SCKT,CUP POINT,5/16-18 X	58
CW12537-109	NUT,INSERT,THIN-NUT,LARGE FLANGE	59
CWBFNN050-250	STUD, 1/2-13 X 2 1/2	59
CWWBKN031-007	WASHER, FLAT, TYPE A, SAE, 5/16 ID	60
CWWBKN038-007	WASHER, FLAT, TYPE A, SAE, 3/8 ID	61
CWWBKN050-010	WASHER, FLAT, TYPE A, SAE, 1/2 ID X	62
CWWALYN031-008	WASHER, SPLIT, 5/16 ID, BL	63
CWWALYN038-009	WASHER, SPLIT, 3/8 ID, BLK XYLAN	64
CWWALYN050-013	WASHER, SPLIT, 1/2 ID, BLK XYLAN	65
CWFA1124-901	SPACER, STEEL,5/8 OD X 1/2 ID X 1/4	66
CWCAYN038-325	SCREW, SOCKET HEAD, BLK XYLAN, 3/	67
CWCAYN038-525	SCREW, SOCKET HEAD, BLK XYLAN, 3/	68
CW31756-101	LABEL, PRECOR USA ICARIAN LINE	70
CW30010-101	LABEL,WARNING STRENGTH	72
CW30152-101	ASSY, LABEL,INSTRUCTION,620	73
CW30126-101	LABEL,VINYL, PRECOR, 3.25 X 18.0	74
CW10510-721	ASSY, PLATE, WEIGHT, 10 LBS, WRKL B	201
CWAC1133-101	BUSHING, WEIGHT PLATE, LDPE PLASTIC	203
CW30172-751	ASSY, 4.00 IN WEIGHT STACK PIN AND	227
CWLDNN038-200	PIN, ROLL, DIA 3/8 X 2	250
CW30184-901	ASSY,BARREL,TOP PLATE,ALUMINUM	251
CW10550-722	PLATE, WEIGHT, MED TOP (MTP-S), 10	283

CW30130-711	SELECTOR STEM, 15 PLATE,0 .875 DIA,	304
CW30011-101	LABEL,WARNING WEIGHT STACK	311
CW12401-106	LABEL, WEIGHT PLATE, 20 LBS/ 8 KG	319
CW12401-110	LABEL, WEIGHT PLATE, 30 LBS/ 13.6 K	323
CW12401-114	LABEL, WEIGHT PLATE, 40 LBS/ 18.2 K	327
CW12401-118	LABEL, WEIGHT PLATE, 50 LBS/ 22.7 K	331
CW12401-120	LABEL, WEIGHT PLATE, 60 LBS/ 27.3 K	332
CW12401-122	LABEL, WEIGHT PLATE, 70 LBS/ 31.8 K	335
CW12401-124	LABEL, WEIGHT PLATE, 80 LBS/ 36.4 K	337
CW12401-126	LABEL, WEIGHT PLATE, 90 LBS/ 40.9 K	339
CW12401-128	LABEL, WEIGHT PLATE, 100 LBS/ 45.5	341
CW12401-129	LABEL, WEIGHT PLATE, 110 LBS/ 50 KG	342
CW12401-130	LABEL, WEIGHT PLATE, 120 LBS/ 54.6	343
CW12401-131	LABEL, WEIGHT PLATE, 130 LBS/ 59.1	344
CW12401-132	LABEL, WEIGHT PLATE, 140 LBS/ 63.6	345
CW12401-133	LABEL, WEIGHT PLATE, 150 LBS/ 68.2	346
CWPF3143-211	SHROUD,SHEET,STEEL,3/32 THICK,4 BEN	402.01
CWPF3143-221	SHROUD,SHEET,STEEL,3/32 THICK,4 BEN	402.02
CWPF3143-231	SHROUD,SHEET,STEEL,3/32 THICK,4 BEN	402.03
CWPF3143-241	SHROUD,SHEET,STEEL,3/32 THICK,4 BEN	402.04
CWPF3143-251	SHROUD,SHEET,STEEL,3/32 THICK,4 BEN	402.05
CWPF3143-261	SHROUD,SHEET,STEEL,3/32 THICK,4 BEN	402.06
CWPF3143-271	SHROUD,SHEET,STEEL,3/32 THICK,4 BEN	402.07
CWPF3143-281	SHROUD,SHEET,STEEL,3/32 THICK,4 BEN	402.08
CWPF3143-291	SHROUD,SHEET,STEEL,3/32 THICK,4 BEN	402.09
CWPF3143-311	SHROUD,SHEET,STEEL,3/32 THICK,4 BEN	402.11
CWPF3143-321	SHROUD,SHEET,STEEL,3/32 THICK,4 BEN	402.12
CWPF3143-331	SHROUD,SHEET,STEEL,3/32 THICK,4 BEN	402.13
CWPF3143-341	SHROUD,SHEET,STEEL,3/32 THICK,4 BEN	402.14
CWPF3143-351	SHROUD,SHEET,STEEL,3/32 THICK,4 BEN	402.15
CWPF3143-361	SHROUD,SHEET,STEEL,3/32 THICK,4 BEN	402.16
CWPF3143-711	SHROUD,SHEET,STEEL,3/32 THICK,4 BEN	402.17
CWPF3144-721	SHROUD BRKT,PLATE,STEEL,1/8 THICK,1	403
CWPF3145-721	SHROUD BRKT,PLATE,STEEL,1/8 THICK,2	404
CWAC1177-101	FLOOR PROTECTOR, RUBBER, 4.563 X 4.	501
CWAC1178-101	FLOOR PROTECTOR, RUBBER, 2.563 X 6.	502